



**WINPOD**  
BY WINTECH®

REDEFINE YOUR WORKING SPACE

n1

**GREENGUARD**



**CERTIFICATION**



**UL GREENGUARD  
CERTIFIED**





# WINPOD FOR THE **WIN**

WINPOD has achieved GREENGUARD Certification which is scientifically proven to meet some of the world's most rigorous third-party chemical emissions standards, helping to reduce indoor air pollution and the risk of chemical exposure. The certification can contribute to LEED credits as well.

WINPOD now comes with amazing features, offering the most advantageous combination of cost, quality and sustainability to improve satisfaction and work performance.

WINPOD pairs finely crafted aesthetics with sustainable materials to protect our mother earth. Its sound insulation effects have been tested by international certification organization, reflecting WINPOD's ingenuity and WINTECH's endeavour in creating a workspace that improves productivity and privacy.



n2

**DESIGNED WITH**



**INNOVATION**

### **Air Purifying System**

The pod is well ventilated with filtered air to provide a comfortable and clean workspace to the user.

### **Acoustic Material for Sound Insulation**

The speech level reduction in the pod offers private and quiet environment, to be free from disturbances.

### **Castors for The Ease of Mobility**

A feature for S/W/D POD

### **Quick And Easy To Assemble**

Improved design which makes installation time possible within 30 minutes.

### **Auto Close Tempered Glass Door**

The door can only be opened up to 95° to prevent collision against surroundings.

### **Elegant Door Handle**

Trendy and aesthetic designs making WINPOD an elegant component to the surroundings.



### **Ergonomic and Exclusive Charging Ports**

CE certified charging ports with AC outlet and type A / type C 65W PD. Input 110-240 VAC, 10A, 50-60Hz.

### **Motion Sensor for Energy Saving**

LED lighting and air ventilation system are activated by the motion sensor, and will be automatically turned off after 5 minutes of inactivity.

### **Knockout Hole for Sprinkler**

Sprinkler head can be installed based on safety requirement.

# PEACE WITH THE PERFECT SOUND INSULATION

## We Care For Your Well-Being

In environment with sound level is above 70 dB, you will soon find yourself difficult to remain focused and productive at work.

WINPOD has gone through rigorous test based on ISO 23351-1 standards, with the speech level reduction at CLASS B. It creates a serene and relaxing environment that counters the stress and anxiety of our daily grinds. WINPOD not only provides more opportunities for creative collaboration, but also helps to maximize users' concentration and satisfaction, as well as enjoy the quiet moment.

CERTIFIED BY

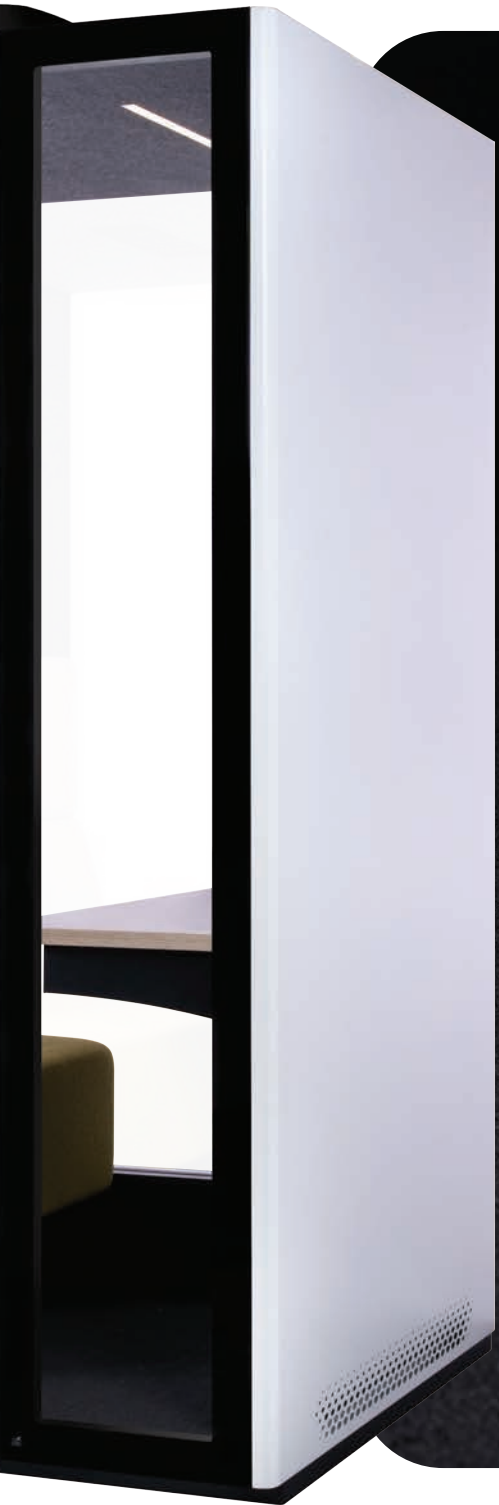


**HIGH ACOUSTIC RATING**

D<sub>s,A</sub> - **CLASS B**

Based on ISO 23351-1 standard





N3

HIGH ACOUSTIC



RATING



# RECYCLE &



# SUSTAINABLE

## Acoustic Material: Crafted To Perfection

WINPOD adopts 100 percent polyester, non-poisonous, harmless, non-irritant, and odourless acoustic material which offers excellent sound absorption, Most importantly, the acoustic materials are harmless to the environment because they can recycle and reused.

The sound absorption alongside the quality, recyclability and reuseability of the acoustic material have also been tested by the relevant testing boards. WINPOD aims to put sustainability and societal impact at the heart of all its endeavours.







## Prioritising “Green” Manufacturing Materials

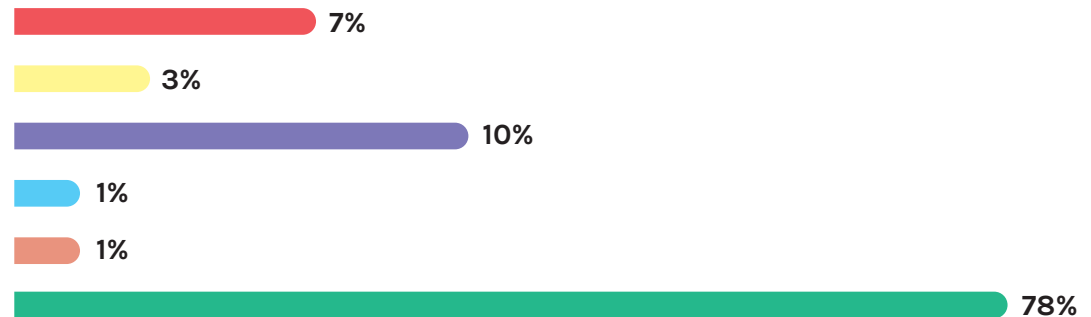
WINPOD acoustic material is composed of minimum 50% post consumer recycle PET content.

WINTECH strives to create green, resilient and competitive products. Taking the manufacturing materials of S POD as an example, galvanized steel makes up 78 percent of the materials used.

This can reduce the environmental burden to the planet earth and is in line with the ideal of sustainable development.

### S POD 3.0

- |                     |                            |
|---------------------|----------------------------|
| ■ Acoustic Material | ■ Wood                     |
| ■ Aluminium         | ■ Others                   |
| ■ Glass             | ■ Electro Galvanized Steel |



05

**COMFORTABLE &**



**BREATHABLE**



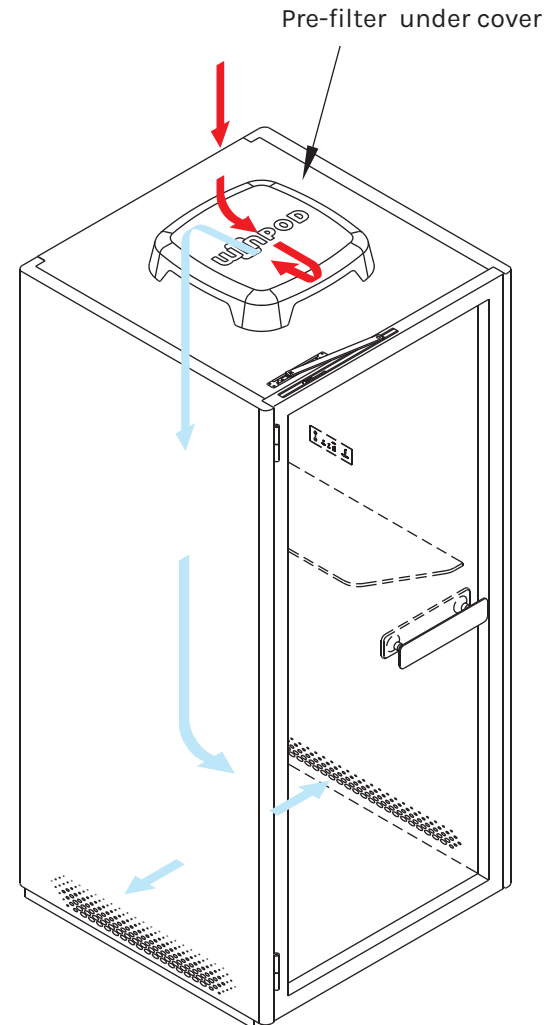
# CLEAN AIR\* IN WINPOD

WINPOD utilizes a top-notch air ventilation and air purifying technology to provide consumers a pleasant breathing environment.

The air ventilation system enables a high enough air exchange rate within the pod to provide a comfortable and healthy working environment.

Additionally, the included filter captures airborne particles to cleanse entering air and enhance air quality. It inadvertently lessens allergic responses.

Model	Airflow (m3/h)	Air Change Per Hour (ACH)
S POD	152	99
W POD	152	52
D POD	304	63
C POD	912	87
M POD	912	69



\*Air Cleanliness by particle concentration

# WINPOD 3.0



n6

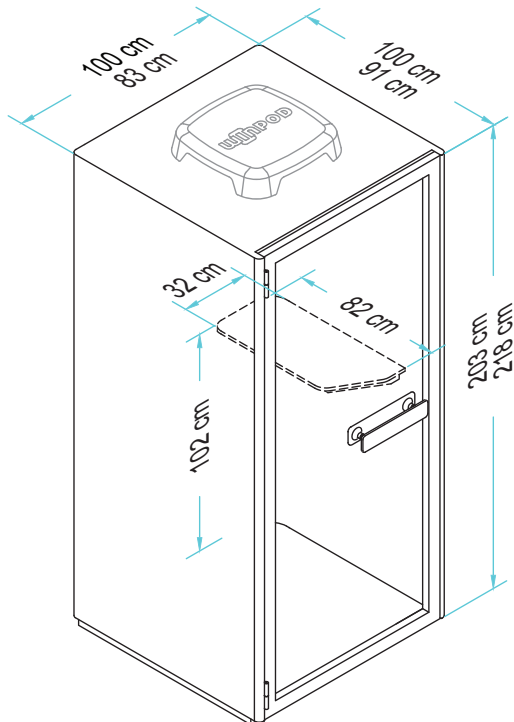
**HIGHEST**



**QUALITY**

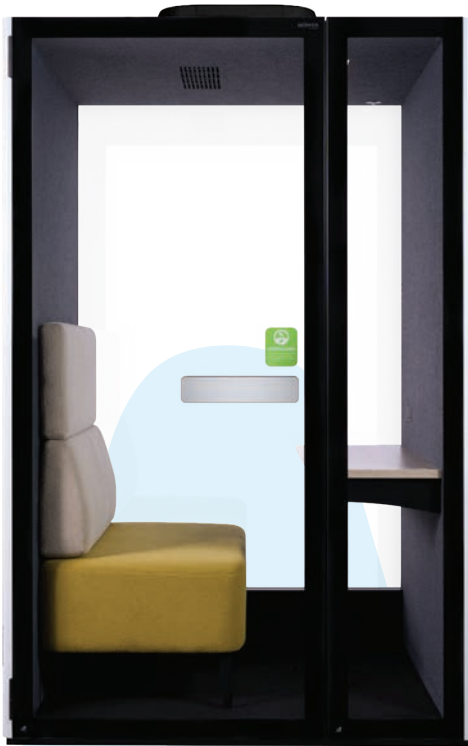
## S POD 3.0

S POD 3.0 is a classic pod for single person. In the serene space, an individual can carry out works that requires high level of privacy such as signing contracts, making phone calls, and video conference.



- > Laminated Desktop
- > Castor
- > Power Consumption: 0.18 A
- > POD Weight: 265.55 kg

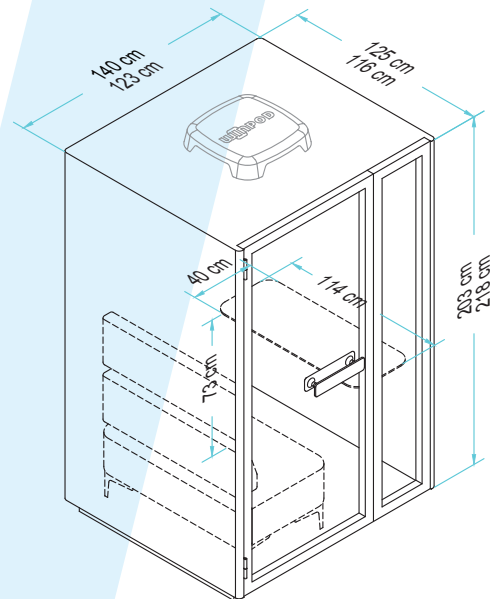
*\*High stool not included*



## W POD 3.0

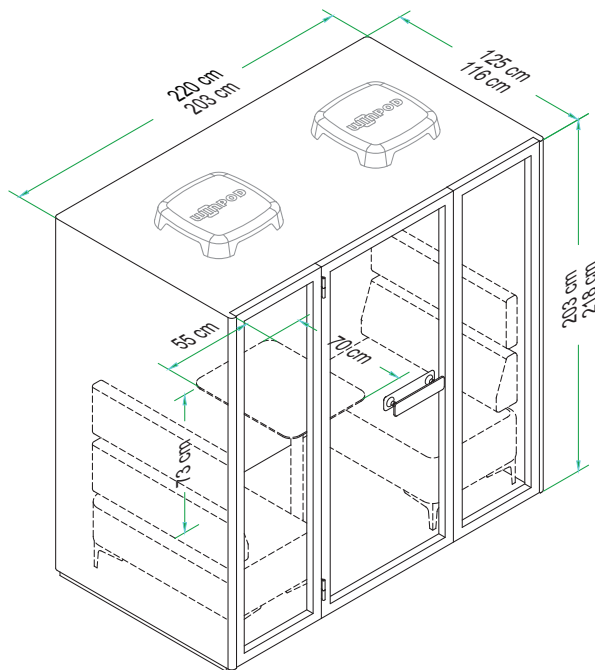
W POD 3.0 has a unique extendable desktop with multiple functions. This ergonomic feature allows you to adjust your working position, while providing a storage space. This spacious pod is suitable for individuals who want to work over a long period of time,

- > Extendable Desktop
- > Exclusive Design Of Sofa With Backrest
- > Castor
- > Power Consumption: 0.18 A
- > POD Weight: 363.7 kg



## D POD 3.0

D POD 3.0 can accommodate two to four persons. The sofas come with comfortable backrest allow users to carry out discussions in a relaxed manner, most importantly free disturbance. Aiming to achieve satisfaction and better results.



- > Laminated Desktop
- > Exclusive Design Of Sofa With Backrest
- > Castor
- > Power Consumption: 0.33 A
- > POD Weight: 497.65 kg

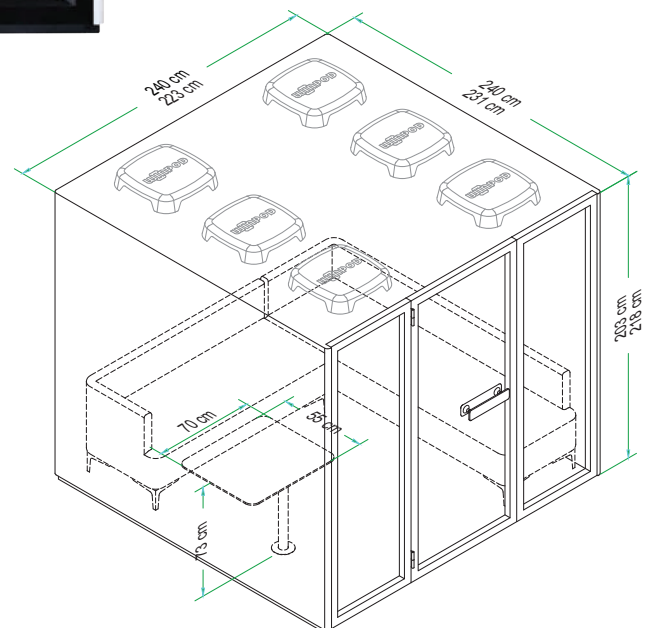


## C POD 3.0

C POD 3.0 is designed to fit up to five people, ideally for meeting, entertainment or relaxing. The meeting table with integrated charging ports are perfect for discussion and brainstorming. Choice of L-shaped sofa offers a casual yet private moments for folks.

- > Selections Of Furnishing:
  1. Exclusive L-Shaped Sofa
  2. Meeting Table with Integrated Charging Ports
  3. Bare Unit
- > TV Bracket with AC Power Socket *\*Optional*
- > Whiteboard *\*Optional*
- > Power Consumption: 0.47 A
- > POD Weight: 833 kg

*\*Side table and TV not included*

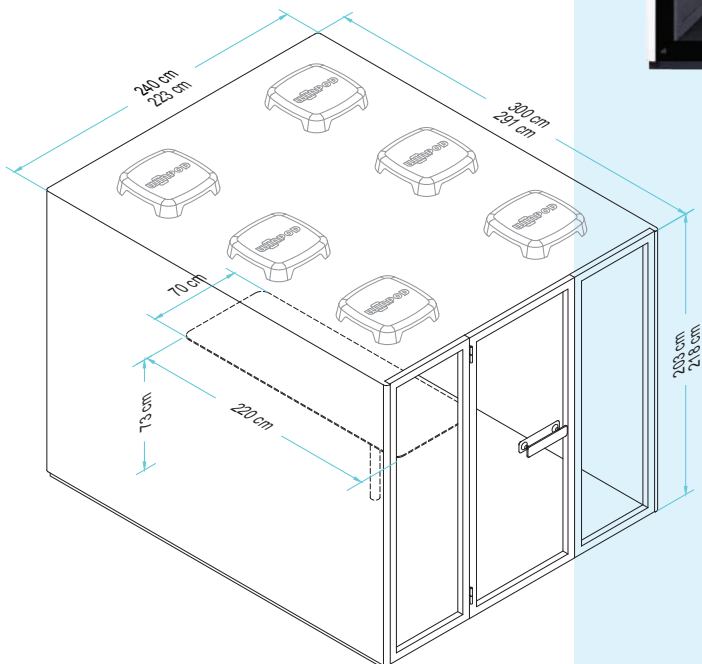




## M POD 3.0

M POD 3.0 can accommodate up to seven persons. Its comfortable and well-ventilated space can help users to increase work efficiency and productivity.

Apart from the meeting table and L-shaped sofa, a bare unit is also available for your personal option to furnish it.



### > Selections Of Furnishing:

1. Exclusive L-Shaped Sofa
2. Meeting Table with Integrated Charging Ports
3. Bare Unit

> TV Bracket with AC Power Socket *\*Optional*

> Whiteboard *\*Optional*

> Power Consumption: 0.47 A

> Net Weight: 914.85 kg

*\*Chairs and TV not included*

PRINT STATION  
CALL BOOTHS

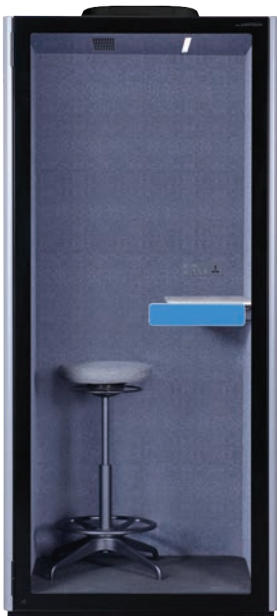
↑

COFFEE IN COMMON  
HOT DESKS  
COMMUNE 03 & 04  
BOARD ROOMS





WINPOD  
2.0



## S POD 2.0

- > Laminated Desktop
- > Castor
- > Power Consumption: 0.18 A
- > Net Weight: 278 kg

*\*High stool not included*



## W POD 2.0

- > Extendable Desktop
- > Exclusive Design Of Sofa With Backrest
- > Castor
- > Power Consumption: 0.18 A
- > Net Weight: 405 kg



## D POD 2.0

- > Laminated Desktop
- > Exclusive Design Of Sofa With Backrest
- > Castor
- > Power Consumption: 0.33 A
- > Net Weight: 532 kg



## C POD 2.0

- > Selections Of Furnishing:
  1. Exclusive L-Shaped Sofa
  2. Meeting Table with Integrated Charging Ports
  3. Bare Unit
- > TV Bracket with AC Power Socket *\*Optional*
- > Whiteboard *\*Optional*
- > Power Consumption: 0.47 A
- > Net Weight: 893 kg

*\*Side table and TV not included*



## M POD 2.0

- > Selections Of Furnishing:
  1. Exclusive L-Shaped Sofa
  2. Meeting Table with Integrated Charging Ports
  3. Bare Unit
- > TV Bracket with AC Power Socket *\*Optional*
- > Whiteboard *\*Optional*
- > Power Consumption: 0.47 A
- > Net Weight: 967 kg

*\*Chairs and TV not included*

# EXTERIOR

## COLOUR SELECTION



Smoke White



Charcoal Black



Silver



Space Grey



Sky Blue



Lagoon Blue



Rose Pink



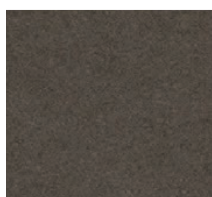
Dandelion Yellow

# INTERIOR

## ACOUSTIC SHEET COLOUR SELECTION



Light Grey

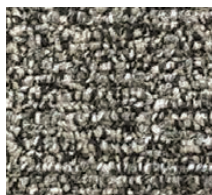


Charcoal Black

## CARPET COLOUR SELECTION



Black



Silver (M POD Only)

# SOFA

## FABRIC COLOUR SELECTION



**1001**  
Oyster White



**1002**  
Beige Grey



**1003**  
Brown Grey



**1006**  
Dark Grey



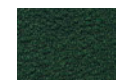
**1007**  
Grey



**1009**  
Brown



**1011**  
Yellow



**1014**  
Dark Green



**1015**  
Blue



**1016**  
Dark Blue



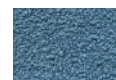
**1020**  
Orange



**1021**  
Purple



**1022**  
Peach



**1023**  
Sky Blue



**1026**  
Lemon Yellow



**1027**  
Brown Red

\*Display colours may slightly vary from actual colours

**ALL RIGHTS RESERVED BY:**

MALAYSIA	18-01096-0101
EUROPE	006405791-0001
SINGAPORE	0201906510P
CHINA	5517060
UK	6059581
AUSTRALIA	20192263
NEW ZEALAND	445997
PHILIPPINES	3-2019000667
INDIA	317323-001



[www.wintech.com.my](http://www.wintech.com.my)

**WINTECH METAL PROCESSING SDN BHD**

E: [enquiries@wintech.com.my](mailto:enquiries@wintech.com.my)

T: +603 3149 2377 / +603 3149 1091 (Fax)

HP: +6012 202 7008

**< SALES OFFICE >**

3F-2A, 3rd Floor Tower 5, PFCC, Jalan Puteri 1/2,  
Bandar Puteri 47100 Puchong, Selangor, Malaysia

**< FACTORY >**

180, Jalan 5, Kompleks Perabot Olak Lempit,  
42700 Banting, Selangor, Malaysia

Scan to get a  
digital copy

